

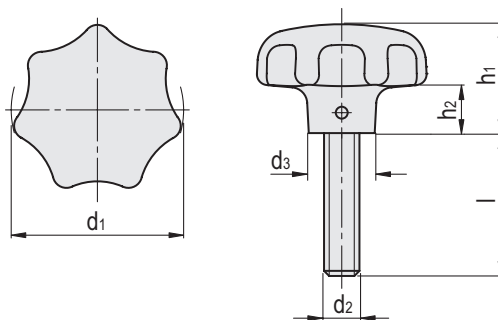
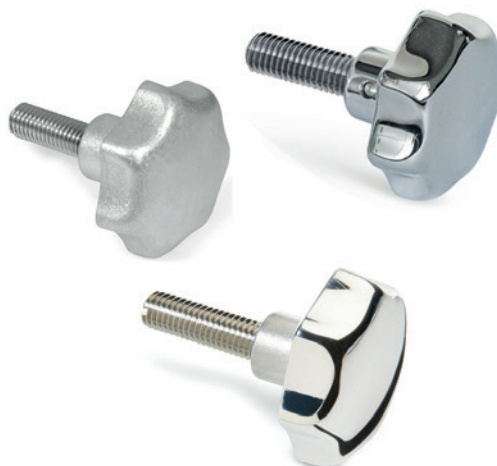
STANDARD EXECUTIONS

- **GN 6336.5-A4P**: Precision cast AISI 316 stainless steel hand knob, polished finish, AISI 316 stainless steel threaded pin.
- **GN 6336.5-ES**: Precision cast CF-8 stainless steel hand knob, polished finish, AISI 303 stainless steel threaded pin.
- **GN 6336.5-AM**: Aluminium cast hand knob, matte finish.
- **GN 6336.5-AP**: Aluminium cast hand knob, polished finish.

FEATURES AND APPLICATIONS

Star knobs GN 6336.5 satisfy the dimensions of the DIN 6336 (see page) but differ in terms of their non-scooping geometry, which makes cleaning easier and helps prevent possible build-up of dirt.

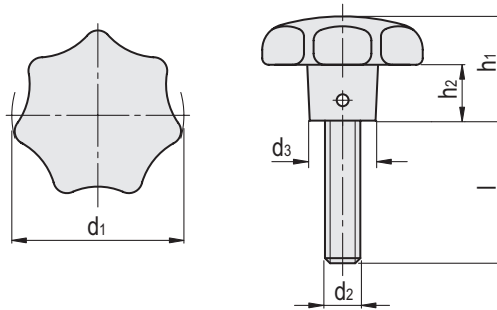
They are suitable for areas with special hygiene requirements and, thanks to the material used, for applications in highly corrosive environments.



GN 6336.5-A4P

INOX STAINLESS STEEL

Code	Description	d1	d2	d3	l	h1	h2	⚖
GN.28701	GN 6336.5-A4P-40-M8-20	40	M 8	14	20	25	12	117
GN.28702	GN 6336.5-A4P-40-M8-25	40	M 8	14	25	25	12	119
GN.28703	GN 6336.5-A4P-40-M8-30	40	M 8	14	30	25	12	121
GN.28704	GN 6336.5-A4P-40-M8-40	40	M 8	14	40	25	12	125
GN.28705	GN 6336.5-A4P-50-M10-20	50	M 10	18	20	32	15	229
GN.28706	GN 6336.5-A4P-50-M10-25	50	M 10	18	25	32	15	233
GN.28707	GN 6336.5-A4P-50-M10-30	50	M 10	18	30	32	15	239
GN.28708	GN 6336.5-A4P-50-M10-45	50	M 10	18	45	32	15	240
GN.28709	GN 6336.5-A4P-50-M10-55	50	M 10	18	55	32	15	254
GN.28710	GN 6336.5-A4P-63-M12-30	63	M 12	20	30	40	19	437
GN.28711	GN 6336.5-A4P-63-M12-40	63	M 12	20	40	40	19	446
GN.28712	GN 6336.5-A4P-63-M12-50	63	M 12	20	50	40	19	454



GN 6336.5-ES

INOX STAINLESS STEEL

Code	Description	d1	d2	d3	l	h1	h2	⚖
GN.28761	GN 6336.5-ES-40-M8-20	40	M 8	14	20	25	12	80
GN.28762	GN 6336.5-ES-40-M8-25	40	M 8	14	25	25	12	88
GN.28763	GN 6336.5-ES-40-M8-30	40	M 8	14	30	25	12	90
GN.28764	GN 6336.5-ES-40-M8-40	40	M 8	14	40	25	12	91
GN.28765	GN 6336.5-ES-50-M10-20	50	M 10	18	20	32	15	180
GN.28766	GN 6336.5-ES-50-M10-25	50	M 10	18	25	32	15	184
GN.28767	GN 6336.5-ES-50-M10-30	50	M 10	18	30	32	15	186
GN.28768	GN 6336.5-ES-50-M10-45	50	M 10	18	45	32	15	193
GN.28769	GN 6336.5-ES-50-M10-55	50	M 10	18	55	32	15	197
GN.28770	GN 6336.5-ES-63-M12-30	63	M 12	20	30	40	19	321
GN.28771	GN 6336.5-ES-63-M12-40	63	M 12	20	40	40	19	334
GN.28772	GN 6336.5-ES-63-M12-50	63	M 12	20	50	40	19	340

GN 6336.5-AM

Code	Description	d1	d2	d3	l	h1	h2	⚖
GN.28721	GN 6336.5-AM-40-M8-20	40	M 8	14	20	25	12	44
GN.28722	GN 6336.5-AM-40-M8-25	40	M 8	14	25	25	12	45
GN.28723	GN 6336.5-AM-40-M8-30	40	M 8	14	30	25	12	47
GN.28724	GN 6336.5-AM-40-M8-40	40	M 8	14	40	25	12	50
GN.28725	GN 6336.5-AM-50-M10-20	50	M 10	18	20	32	15	80
GN.28726	GN 6336.5-AM-50-M10-25	50	M 10	18	25	32	15	82
GN.28727	GN 6336.5-AM-50-M10-30	50	M 10	18	30	32	15	92
GN.28728	GN 6336.5-AM-50-M10-45	50	M 10	18	45	32	15	97
GN.28729	GN 6336.5-AM-50-M10-55	50	M 10	18	55	32	15	100
GN.28730	GN 6336.5-AM-63-M12-30	63	M 12	20	30	40	19	150
GN.28731	GN 6336.5-AM-63-M12-40	63	M 12	20	40	40	19	157
GN.28732	GN 6336.5-AM-63-M12-50	63	M 12	20	50	40	19	164

GN 6336.5-AP

Code	Description	d1	d2	d3	l	h1	h2	⚖
GN.28741	GN 6336.5-AP-40-M8-20	40	M 8	14	20	25	12	43
GN.28742	GN 6336.5-AP-40-M8-25	40	M 8	14	25	25	12	45
GN.28743	GN 6336.5-AP-40-M8-30	40	M 8	14	30	25	12	46
GN.28744	GN 6336.5-AP-40-M8-40	40	M 8	14	40	25	12	50
GN.28745	GN 6336.5-AP-50-M10-20	50	M 10	18	20	32	15	79
GN.28746	GN 6336.5-AP-50-M10-25	50	M 10	18	25	32	15	81
GN.28747	GN 6336.5-AP-50-M10-30	50	M 10	18	30	32	15	91
GN.28748	GN 6336.5-AP-50-M10-45	50	M 10	18	45	32	15	95
GN.28749	GN 6336.5-AP-50-M10-55	50	M 10	18	55	32	15	96
GN.28750	GN 6336.5-AP-63-M12-30	63	M 12	20	30	40	19	150
GN.28751	GN 6336.5-AP-63-M12-40	63	M 12	20	40	40	19	155
GN.28752	GN 6336.5-AP-63-M12-50	63	M 12	20	50	40	19	164